



JDC (M12) Junction Blocks

8 Port, 4 Pin JDC Junction blocks

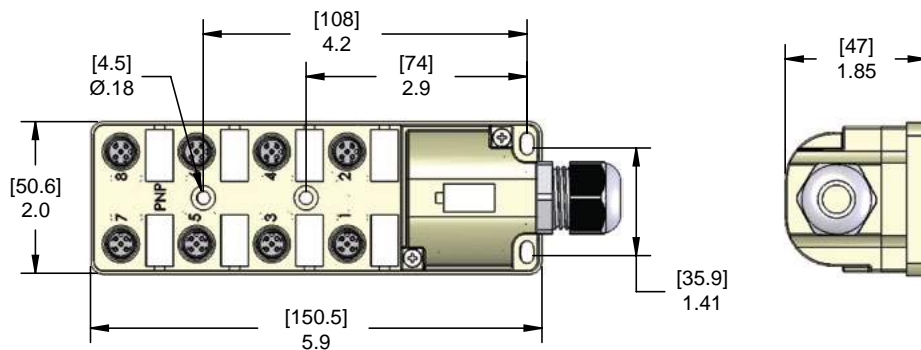


MIN Receptacle | MIN Plug | M23 Receptacle | IP67 Protection Rating



Trunk Style	UL Rating	Trunk Connection	Part Number		
			No LED	PNP	NPN
	N/A	MIN Size III 12 Pole Male Receptacle	JDC-840-012-M000	JDC-84P-212-M000	JDC-84N-212-M000
	N/A	M23 12 Pole Male Receptacle	JDC-840-012-V000	JDC-84P-212-V000	JDC-84N-212-V000
	N/A	MIN Size III 12 Pole Male Plug with Male Thread	JDC-840-012-M003	JDC-84P-212-M003	JDC-84N-212-M003
	N/A	MIN Size III 12 Pole Male Plug	JDC-840-012-M**	JDC-84P-212-M**	JDC-84N-212-M**

** Lengths in meters. Standard Cable lengths are 2m, 5m and 10m. Consult factory for other lengths.

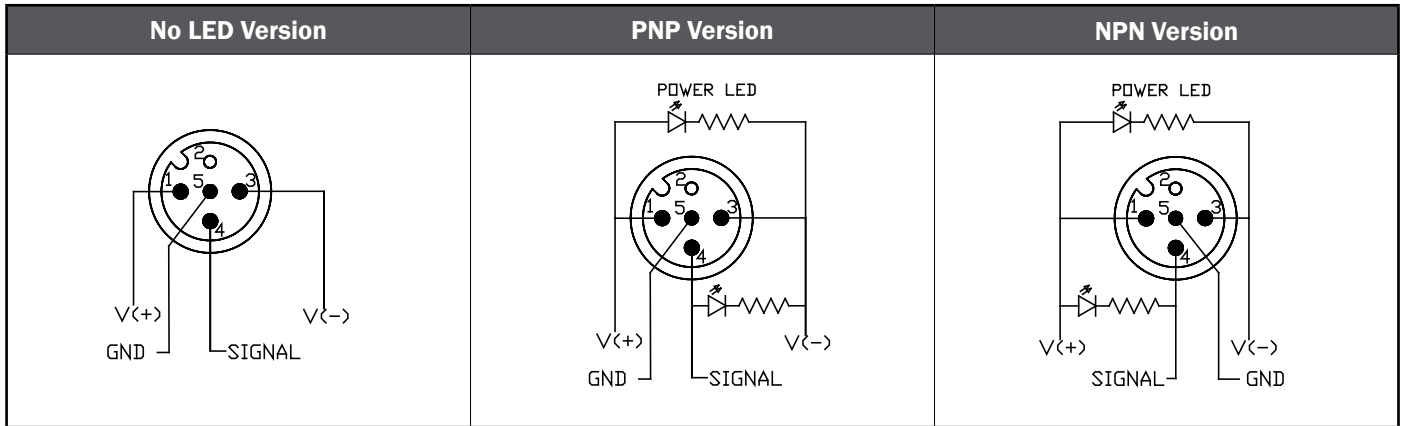


JDC Junction Blocks

Q

Specifications:

Ratings:	3 A per Connector 8 A per Block	Inserts:	Polyamide
Voltage:	Without LEDs: 0-150 Volt Max With LEDs: 48 VDC Max in accordance with LED Configuration	Port Coupling Nuts:	PBT
Body:	Polypropylene	O-Ring:	BUNA-N
		LED Lens:	Polycarbonate
		Contacts:	Copper Alloy with Gold Plating
		Marker Tags:	Polyamide (supplied on all units)



Function	MIN-12 Receptacles & Plug Version	12 PIN M23 Receptacles & Plug Version
Male Faceview	 1.125"-16UN2	 M23 x 1
+ V	PIN #10	PIN #11
- V	PIN #11	PIN #9 & PIN #10
Ground	PIN #9	PIN #12
PORT 1 PIN 4	PIN #1	PIN #1
PORT 2 PIN 4	PIN #2	PIN #2
PORT 3 PIN 4	PIN #3	PIN #3
PORT 4 PIN 4	PIN #4	PIN #4
PORT 5 PIN 4	PIN #5	PIN #5
PORT 6 PIN 4	PIN #6	PIN #6
PORT 7 PIN 4	PIN #7	PIN #7
PORT 8 PIN 4	PIN #8	PIN #8
Mating Plug for Receptacle or Plug	MINP-12FPX-*	MCV-12FP-**

* Length in feet. Standard Cable lengths are 3, 6, 12, 20, 30 & 50 feet. Consult factory for other lengths.

** Lengths in meters. Standard Cable lengths are 1, 2, 4, 5, 6, 10 & 15 meters. Consult factory for other lengths.